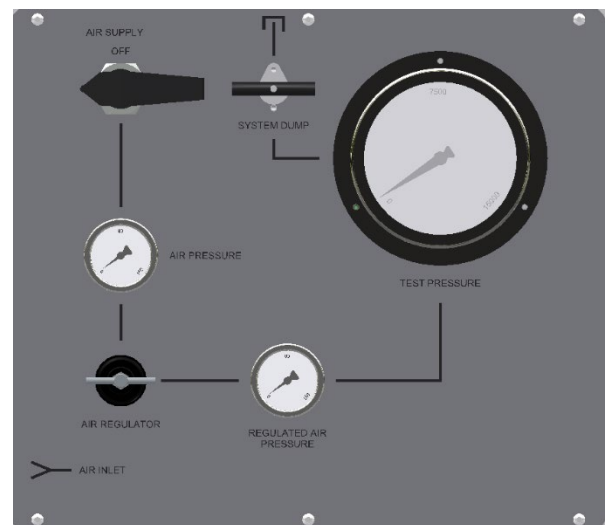
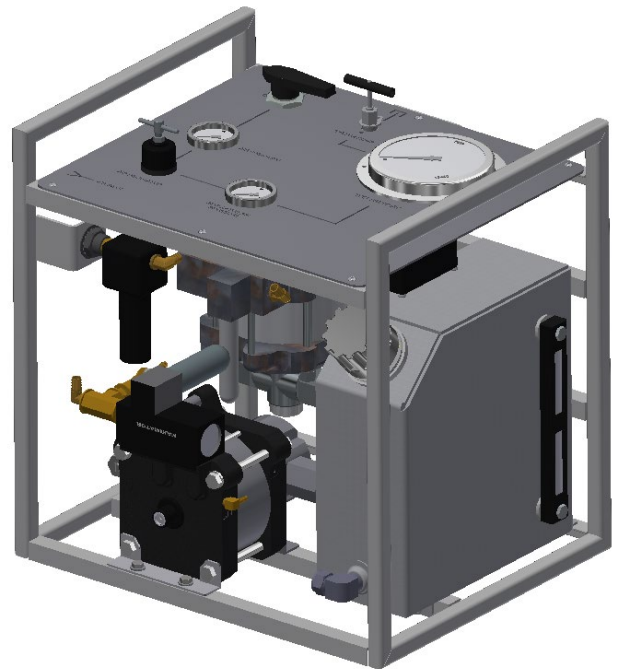


Assembly Part Number: AM806UU0016

Description: 10K Portable Air Driven Pressure Tester

Working Conditions	
Maximum Working Pressure	15,000 psi
Design Specification	
High Volume Pump	10:1
High Pressure Pump	150:1
Air Filter	0 – 250 psi capacity
Air Supply Requirement	100 psi
Air Supply Hose	1 x 1/2"
Air Supply Hose Length	100'
High Pressure Outlet Valve	Manual
Low Pressure Outlet Valve	Manual
Return Valve to Fluid Tank	Manual
Frame Material	Stainless Steel
Control Panel Material	Stainless Steel
Dimensions	
Overall Width	24"
Overall Height	24"
Overall Length	19"
Fluid Tank Capacity	5 US Gallon
Dry Weight	150 lbs. (68 kg)
Assembly Includes	
Air Supply Gauge	
6" 15K Test Pressure Gauge	
Isolation Valve	
Bleed Off Dump	



All equipment renderings are included as a visual aid and may or may not be drawn to scale of the delivered product. Please refer to the engineered drawings provided with your equipment documentation for an accurate depiction of the physical properties and/or dimensions.