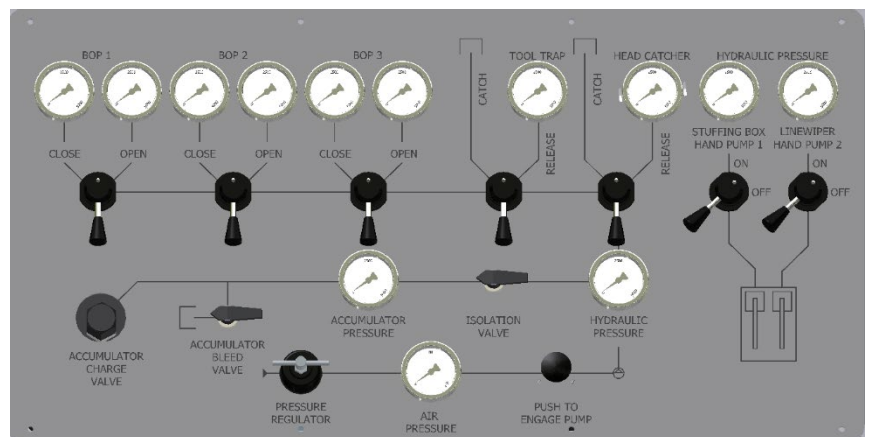
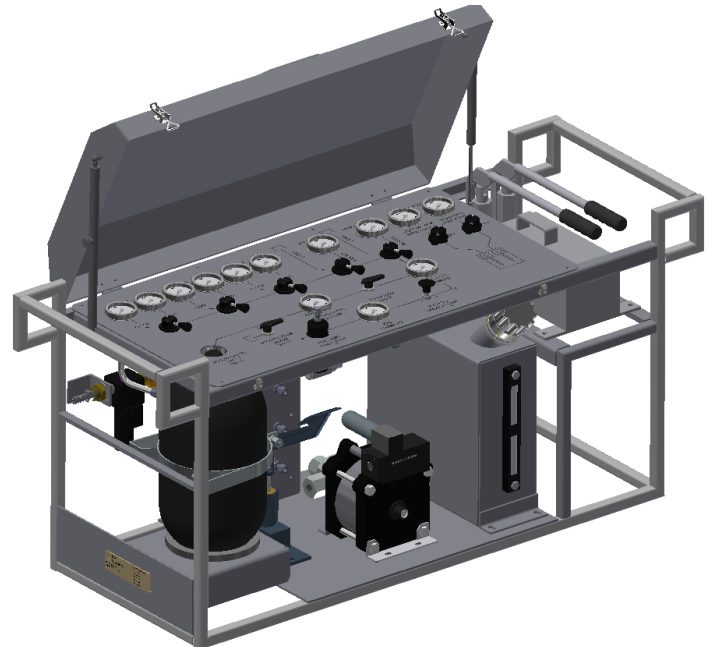


Assembly Part Number: AM809UU0007

Description: Hydraulic Pressure Console

Working Conditions	
Maximum Hydraulic Pressure	5,000 psi
Design Specification	
Accumulator Bottle	9.46 L (2.5 US Gal)
Charge System	Pneumatic and Manual
Hand Pumps	2
Selector for Each System	w/ 3" 5,000 psi Pressure Gauge
Hydraulic Actuation of the Following Equipment:	Tool Trap
	Tool Catcher
	Triple BOP
Hoses	150' each
Frame Material	Stainless Steel
Control Panel Material	Stainless Steel
Dimensions	
Overall Width	20"
Overall Height	26"
Overall Length	56"
Fluid Tank Capacity	18.93 L (5 US Gal)
Dry Weight	300 lbs. (136 kg)
Assembly Includes	
Air Supply Gauge	
Hydraulic Hoses	
Isolation Valve	
Hinged Cover	
Bleed Off Dump	



All equipment renderings are included as a visual aid and may or may not be drawn to scale of the delivered product. Please refer to the engineered drawings provided with your equipment documentation for an accurate depiction of the physical properties and/or dimensions.