

INVERTED POSI LOCK - ANALOG

DESCRIPTION

The new Inverted Posi-Lock utilizes the same lug and clamp design of the original Lee Posi-Lock system. The lock itself is inverted and connected to the bottom of the BOP/WLV, while the flanged stinger now sits atop the well-head.

By removing the nightcap extractor, shortening the flange base, and removing the BX152 and BX154 side studded outlets, we have reduced the weight of the Inverted Posi-Lock to 1,850 lbs. This keeps overall stack weight as light as possible allowing for the use of lower capacity cranes.

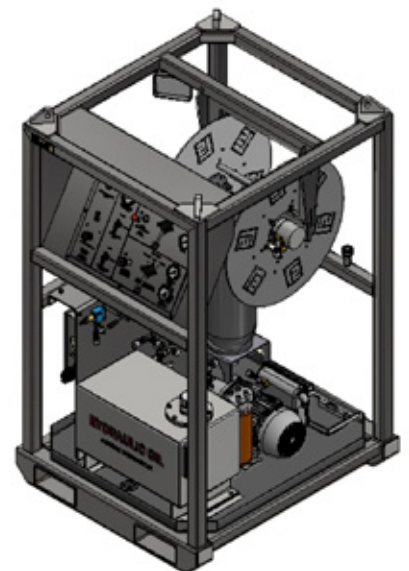
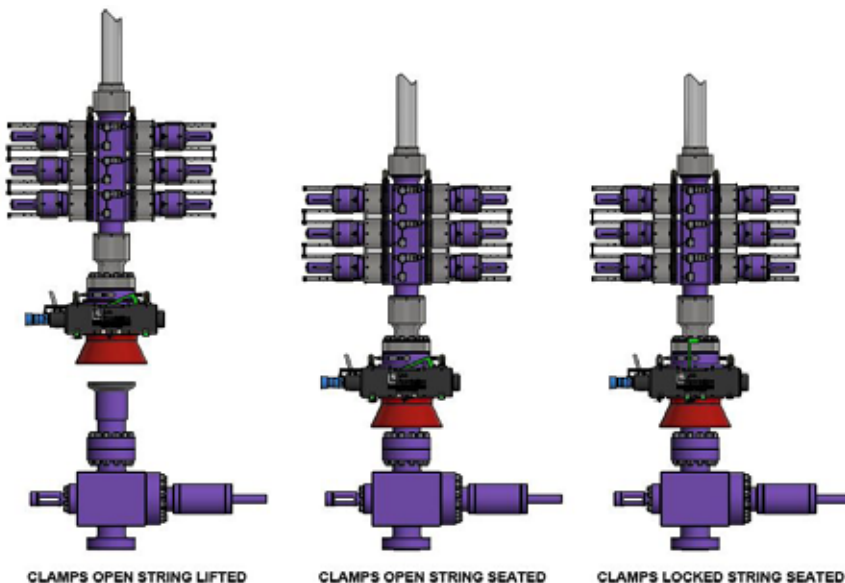
CONTROL UNIT SPECIFICATIONS

- Electric motor which requires 240v/30 Amp power source to operate.
- 250 ft hose bundle allows for greater reach from a single rig-up point.
- Manual valve control.
- Manual pressure gauges.

PACKAGE INCLUDES*

- 1 x Inverted Posi-Lock
- 4 x Flanged stingers (max. 6 on one transport skid)
- 1 x Analog Control Unit
- 1 x Transport Skid (Optional)

* Standard package equipment is listed. Unique configurations are available upon request.



ADDITIONAL COMMENTS